

# reesa®

# Salad slicer

TSA3020 | TSA3025



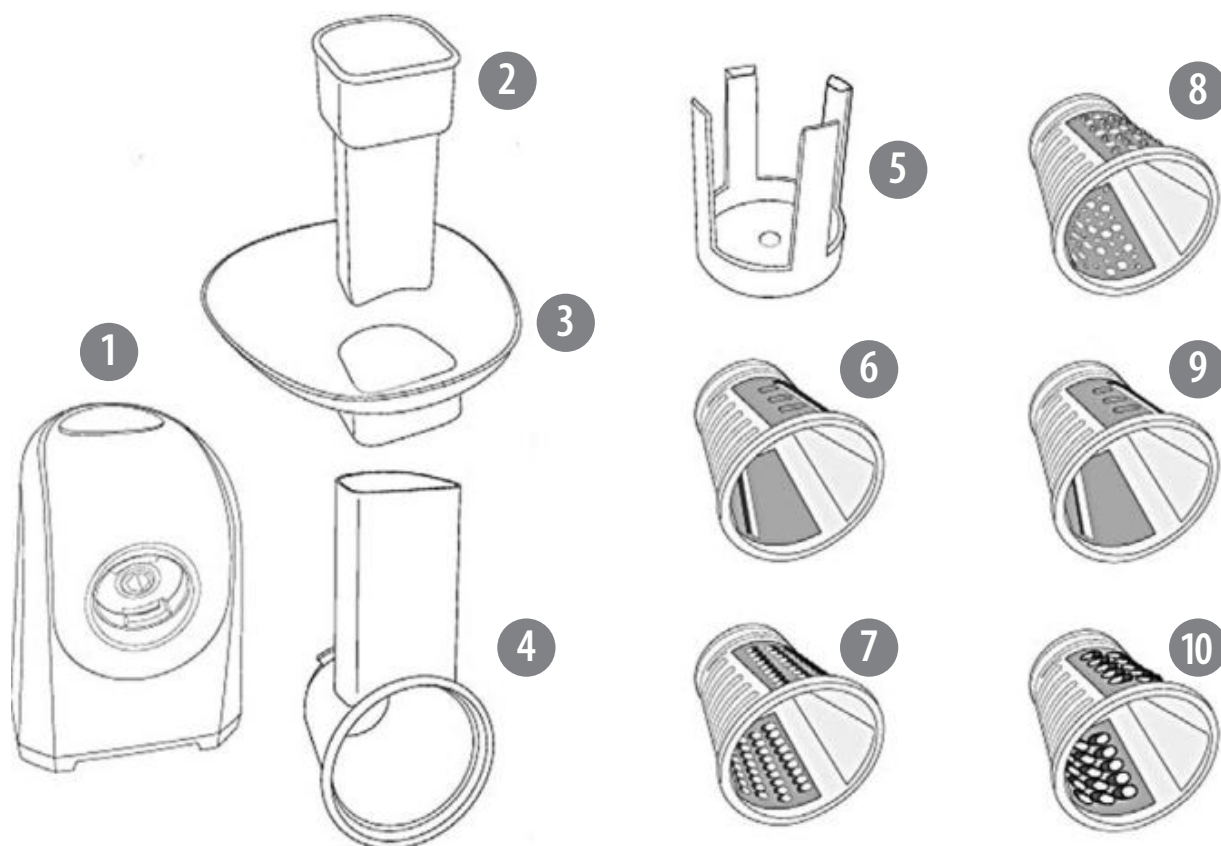
Bedienungsanleitung **DE**

Owner's manual **EN**

Instrukcja obsługi **PL**

Manual de utilizare **RO**

Návod na použitie **SK**



	DE	EN	PL	RO	SK
1	Basis	Base	Baza	Baza	Základňa
2	Lebensmittelstopfer	Food pusher	Popychacz	Maner de apasare	Posuvník surovín
3	Trichter	Hopper	Taca na produkty	Tub de alimentare	Zásobník
4	Lebensmittel-Schacht	Food chute assembly	Komora z otworem na produkty	Tub de alimente	Diel na krájanie surovín
5	Kegelhalterung	Cone storage caddy	Akcesorium do przechowywania terek	Suport con	Držiak pre násady
6	Feinscheidekegel	Fine slicing cone	Tarka do krojenia w cienkie plasterki	Con pentru feliere fina	Násada na rezanie tenkých plátkov
7	Feinzerkleinerungskegel	Fine shredding cone	Tarka do krojenia w cienkie słupki	Con pentru razuire fina	Násada na rezanie tenkých pásov
8	Reibkegel	Grating cone	Tarka do przecierania	Con pentru feliere grosiera	Násada na mriežkovanie
9	Schneidekegel	Slicing cone	Tarka do krojenia w plasterki	Con pentru feliere medie	Násada na rezanie plátkov
10	Zerkleinerungskegel	Shredding cone	Tarka do krojenia w słupki	Con pentru razuire grosiera	Násada na rezanie pásov

Thank you for purchasing TEESA appliance. Please read this operation instruction carefully before first use, and keep it for future reference. Distributor does not take responsibility for damages caused by inappropriate handling and use of the product.

## SAFETY INSTRUCTIONS

**In order to reduce the risk of fire, electric shock, or any other injury, follow basic safety precautions applied when using any electrical device, including the following:**

1. Read this instruction manual carefully, even if you are familiar with the appliance.
2. Before connecting the device to power supply socket, make sure the voltage indicated on the appliance corresponds to the voltage in the power supply socket.
3. Place the device on a dry, flat and stable surface.
4. For cleaning use soft, slightly damp cloth.
5. ALWAYS turn off the device and disconnect it from the mains supply:
  - if it's not operating correctly
  - if there's an uncommon voice when using
  - before disassembling the device
  - before cleaning
  - when not in use
6. When you disconnect the power cord of the device, grasp and pull the plug, not the cord/cable.
7. Keep your fingers and kitchen utensils away from the moving blades and cones. Only use the pusher supplied.
8. Do not operate the appliance when its empty or when there is no cone inserted.
9. Do not use this appliance to chop, grate or slice meat.
10. Do not remove the cones until the motor has completely stopped.
11. Use the appliance only for intended products. Do not process food such as: grain, coffee beans, spices, sugar, frozen foods, meat, etc.
12. This appliance should not be used if:
  - it has been dropped
  - the cones, or any part of the device is damaged or incomplete
  - if it's not operating correctly
13. Use only the original parts with this device.
14. Don't touch moving parts of the device.
15. Keep the device out of the reach of children. Do not leave children unsupervised with the product.
16. This appliance should not be used by persons (including children) with reduced physical, sensory or mental capabilities, or lack of experience and knowledge, unless they are supervised by the person who is responsible for their safety.
17. Do not attempt to repair this appliance yourself, only authorized and qualified personnel may repair this device.
18. Keep the device and its cord/cable away from heat, water, moisture, sharp edges and any other factor which may damage the appliance or its cord.
19. Do not immerse the appliance in water or any liquid; nor handle/use it with wet or moist hands.
20. Do not leave the appliance unattended when it's working.
21. Do not use the product for purposes different from what displayed in this operating manual.

22. Producer of this product is not responsible for damages caused by inappropriate handling and using of the device.

23. This device is intended exclusively for private and not for commercial use.

## OPERATION

**WARNING: The cone blades are extremely sharp. Handle the cones carefully, always holding them by the plastic part.**

- Clean the parts that will come in contact with food (cones, food chute and pusher). Rinse and dry thoroughly.
- Choose the cone which corresponds to the desired use.
- Fit the food chute on the housing base by giving it a quarter turn to the left
- Grab the button on the shaft of the food chute, lift it up slightly and place the chosen cone into the opening at the front of the food chute. The cone should be correctly positioned all the way into the drive.
- Insert the plug into a wall socket.
- Hold the switch to perform shredding. As long as you press it, the appliance will operate.
- To change the cone, turn it off, unplug the device and turn the food chute a quarter turn to the right. Then return it to the upright position. Replace the cone, and assemble the food chute.

**WARNING: Before running the appliance, always make sure that the cone is perfectly positioned on the motor driver unit, and the button at the shaft of the food chute is in its initial position (pressed, not hovered).**

## FUNCTION TABLE

Food	Slicing	Grating	Julienne slim	Julienne wide	Quantity	Operating time
Carrot	X	X	X	X	500 g	1 min.
Cheese	X	X	X	X	300 g	30 sec.
Onions	X	X		X	500 g	40 sec.
Cabbage	X	X			800 g	40 sec.
Cucumber	X	X	X	X	800 g	40 sec.
Cayenne pepper	X	X		X	500 g	40 sec.
Beet	X	X			500 g	1 min.
Apple	X	X			500 g	20 sec.
Chocolate	X	X			300 g	30 sec.
Potatoes (not cooked)	X	X		X	500 g	1 min.

## CLEANING

- Always unplug the appliance before cleaning.
- Do not immerse the base in water or any other liquid.
- Wipe the housing base down with a damp cloth, then dry it.
- Wash the food chute and cones in warm, running water, then dry it.
- Be careful while handling the cones - their blades are extremely sharp.
- Should the plastic parts become stained with food (such as carrots), rub them with a cloth dipped in a cooking oil and then clean as usual.

## STORAGE

- After use, remove all cones from the food chute.
- Clean the device after each use. Make sure the appliance is dry before storing it.

## TROUBLESHOOTING

Problem	Solution
Food is not sliced or shredded uniformly.	This may be caused by placing too much food into the food chute, or pressing too hard on the pusher.
Appliance will not turn on.	1. Check if the mains supply functions correctly. 2. Unplug the appliance and let it rest for approximately 4 minutes. Plug it back in, and press On. If the appliance still does not respond, contact with an authorized service point.
Food is not processed at all, or very thoroughly.	1. Cheese Cheese is easier shredded when chilled, and processed immediately after being removed from the refrigerator. Softer cheeses, like Mozzarella, should be placed in the freezer for 30 minutes before processing. 2. Fruits and vegetables Fruits and vegetables are easier to process when are firm, and not overly ripe. Vegetables with high water content should be kept in the refrigerator prior to processing.

EN

## TECHNICAL FEATURES

5 cones for different use:

- Fine slicing cone
- Fine shredding cone
- Grating cone
- Slicing cone
- Shredding cone

Power: 150 W

Voltage: 220-240 V, 50-60 Hz



**English**  
**Correct Disposal of This Product**  
**(Waste Electrical & Electronic Equipment)**



EN

(Applicable in the European Union and other European countries with separate collection systems)  
This marking shown on the product or its literature, indicates that it should not be disposed with other household wastes at the end of its working life. To prevent possible harm to the environment or human health from uncontrolled waste disposal, please separate this from other types of wastes and recycle it responsibly to promote the sustainable reuse of material resources. Household users should contact either the retailer where they purchased this product, or their local government office, for details of where and how they can take this item for environmentally safe recycling. Business users should contact their supplier and check the terms and conditions of the purchase contract. This product should not be mixed with other commercial wastes for disposal.

Made in China for LECHPOL Zbigniew Leszek, Miętne, 1 Garwolińska Street, 08-400 Garwolin.